

made in germany

## Security Shutter

Varimaxx®-QS  
Formado®-QS



**ALULUX.**

**The Alulux Security Shutter QS series is an all-round system for anti-burglary and hurricane protection. The world's smallest shutter box provides an elegant solution for both commercial and residential properties.**

#### **Small**

The shutter box is 40-50% smaller than traditional shutter boxes and offers numerous additional benefits.

#### **Strong**

The system boasts the strongest single-wall rollup shutter available. It helps to prevent break-ins and protects against extreme weather conditions.

#### **Certified**

QS series systems are approved for hurricane protection by the State of Florida and the Texas Department of Insurance. The aluminum security shutters have passed the Small Missile Impact Test, which is conducted using lead balls, and survived the Large Missile Test during which a 2x4 wood stud is fired at the shutter at 30 mph.

#### **Variety**

Alulux Security Shutters are available with solid slats or perforated punch slats. Furthermore, there is a choice of four box housing shapes. Additional system benefits include a "quiet kit", which provides the box housing with anti-noise strips.

#### **Life cycle tested**

Each shutter element has been enhanced for maximum durability and to reduce warranty services. The system has been life cycle tested to 15,500 operations (42 years).

#### **Customised colours**

Alulux Security Shutters allow you to match your existing paint scheme.

Commercial use



Residential use

**ALULUX®**

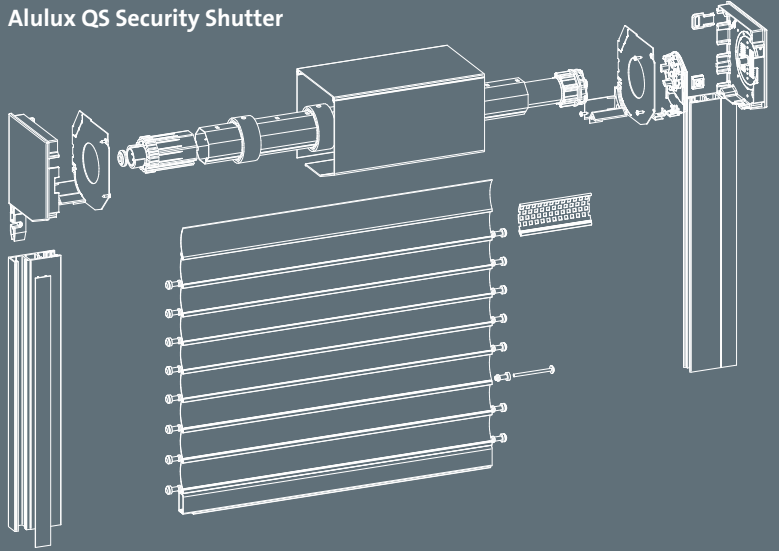
#### **Key facts**

- Unique rollup characteristics
- Single wall extruded slats
- Corrosion resistant



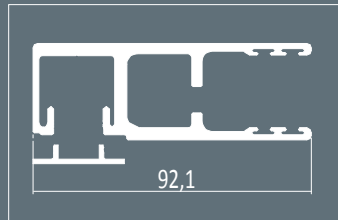


### Alulux QS Security Shutter



Guide channel

Slat



### Shutter boxes



**Alulux Security Shutter is 40-50% smaller than traditional shutter boxes.**

Shutter Height	Shutter Width	Alulux Box size	Other Shutters Box Size
Box sizes			
2.100 mm	4.300 mm	150 mm	250 mm
3.100 mm	3.900 mm	165 mm	300 mm
4.000 mm	3.600 mm	180 mm	300 mm

### Key benefits

- ✓ World's smallest shutterbox
- ✓ High level of security
- ✓ Hurricane certified
- ✓ Impact tested
- ✓ Market tested roller shutter system



Increased burglary protection



Hurricane protection



Cold and heat insulation



Sun protection

**ALULUX.**

---

[www.alulux.com](http://www.alulux.com)